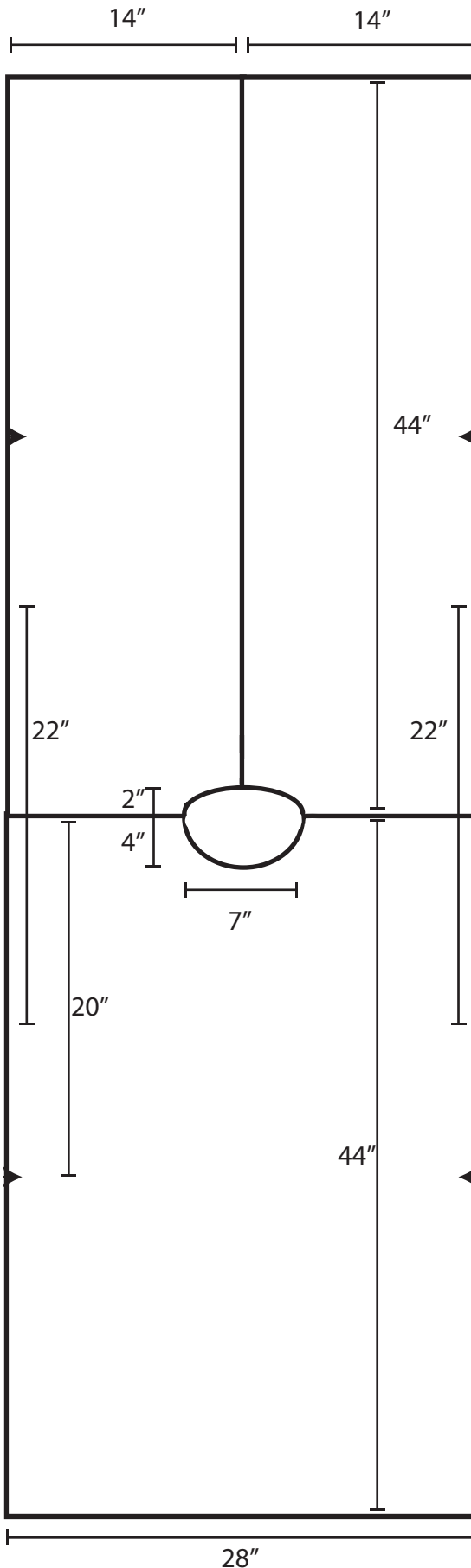


# Covid Isolation Gown



## Sewing Instructions

- 1 Sew shoulder seams.
- 2 Put elastics into wrist.
- 3 Attach sleeve to shoulders.
- 4 Fold right sides together and sew up sleeves and down sides, inserting twill at side notches.

- 5 Hem or serge edges.
- 6 Attach the 45 inch bias tape neck band, leaving a 13 inch extension on each side for tying.